

TOTO

Washlet®+Toilet

CW830EB#XW
SW833EB#W
TCF3F460/260ECN
HP601T3/T4



※TCF3F260ECN is no such function

FEATURES

- Premist technique applied, prevents dirt attached .
- Traditional style, elegant white perfect presentation.
- 4 .8L flushing, water saving and environmental protection.
- Brand new slim design with small-sized control panel. The seat cover is integral and seamless.
- Premist technique applied, prevents dirt attached.
- Ewater+ technology keeps nozzle always clean.

SPECIFICS

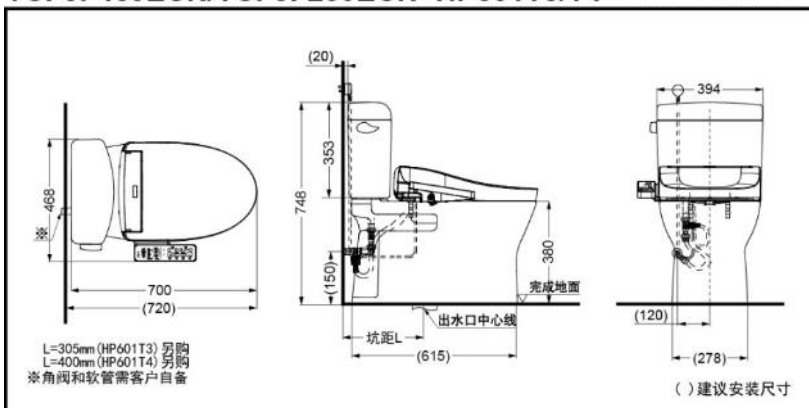
Size : 700x468x748mm
Water Inlet Requirement : 0.05MPa(Dynamic Pressure)~0.75MPa(Static Pressure)
Nominal water consumption : 4.8L
Water Efficiency: Grade2
Flush type : Tornado Flush
Drainage mode : Underneath Drainage

OTHERS

Recommend fittings : Washlet: S2,C2series TC400CVK-1; TC401CVK-1 Toilet installation kit: D106A; D104N.

It must be installed with HP601T3 or HP601T4

CW830EB/SW833EB+ TCF3F460ECN/TCF3F260ECN+HP601T3/T4 Washlet®+Toilet



TOTO(CHINA) CO.,LTD. All rights reserved.
TOTO(CHINA) CO.,LTD. www.toto.com.cn